



Dedicated to Quality....

....Committed to Support

Designed for Light to Medium demolition jobs, 2 to 4 inch plus hard concrete, bridge deck resurfacing, and cutting asphalt.

- 4 Bolt Backhead
- Heavy Duty side rod bolts and springs
- Forged Alloy Construction
- Removable Front head
- Replaceable Chuck bushing, 1"
- One year Warranty
- Manufactured in USA
- Optional Muffler



Specifications

Net Weight	42 lbs	19 kg
Length	25.125 in	683 mm
Bore	1.73 in	44 mm
Stroke	5.75 in	146 mm
Blows per minute	900	900
Chuck Size	1 x 4 1/4 in	25 x 108 mm
Air Inlet (NPT)	1/2 or 3/4 in	13 or 19 mm
Air Consumption*	56 cfm	1.6 m ³ /m
*estimated		

FOR OPTIMUM PERFORMANCE, DO NOT OPERATE TOOL ABOVE 90 PSI (6 BAR) WORKING PRESSURE.

WARNING:

ALWAYS DISCONNECT THE AIR SUPPLY BEFORE CHANGING CHISELS OR DISMANTLING THE TOOL FOR SERVICE OR REPAIR. FOR MAXIMUM SAFETY WE ADVISE THE INSTALLATION OF A SHUT-OFF VALVE AT THE END OF THE AIR LINE.

DO NOT EXCEED 100 PSI (7BAR) WORKING PRESSURE.



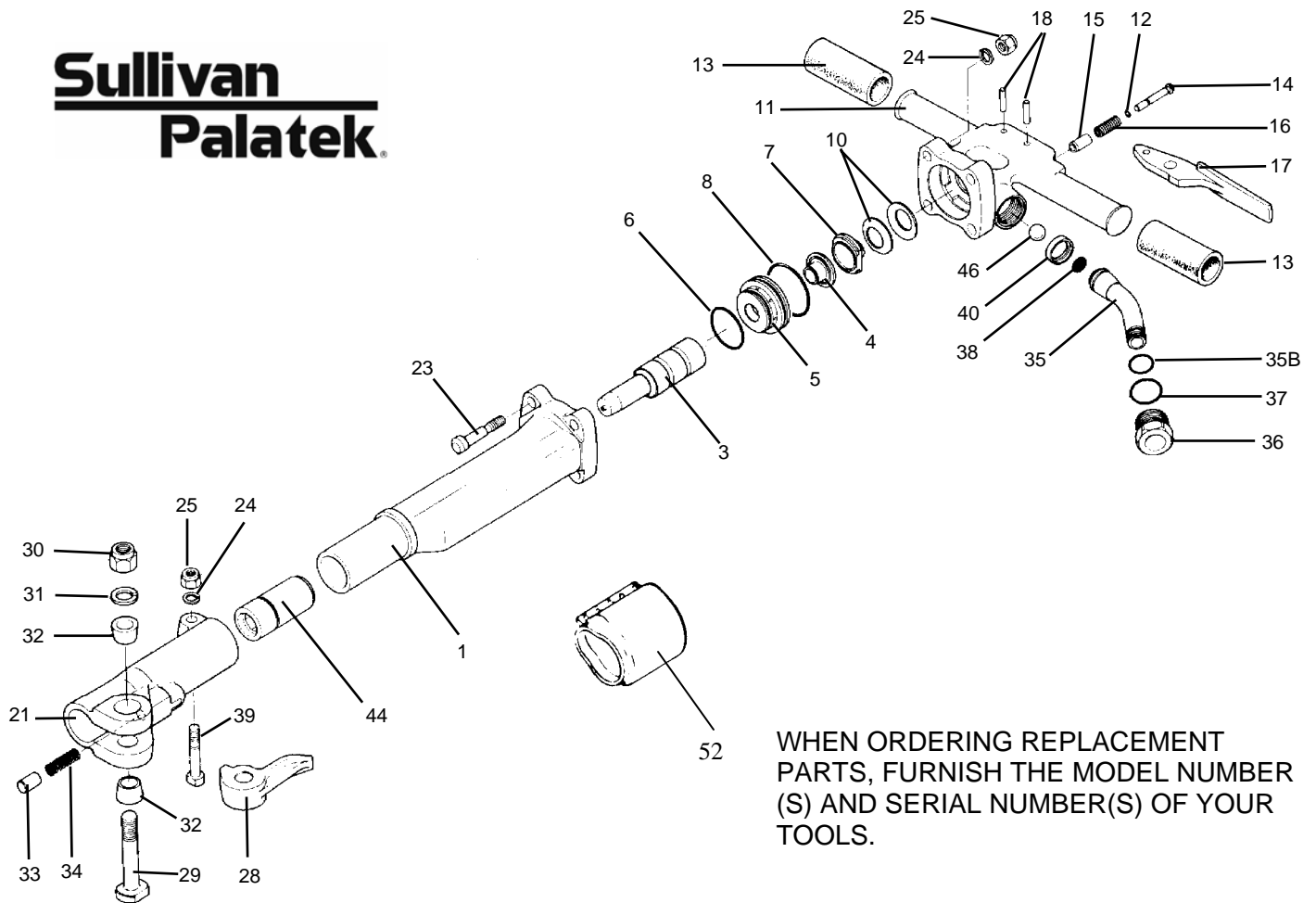
1201 West US Highway 20
Michigan City, IN 46360

Ph: 800-438-6203
Fx: 800-725-6203

info@sullivanind.com
www.sullivanpalatek.com

PARTS LIST PAVEMENT BREAKER 40 lb. class SPB-40

**Sullivan
Palatek.**



WHEN ORDERING REPLACEMENT PARTS, FURNISH THE MODEL NUMBER (S) AND SERIAL NUMBER(S) OF YOUR TOOLS.

INDEX	PART	DESCRIPTION	INDEX	PART	DESCRIPTION
1	SI6401	CYLINDER	24	SI6324	BOLT WASHER (5)
3	SI6403	PISTON	25	SI6325	BOLT NUT (5)
4	SI6404	AUTOMATIC VALVE	28	SI6628	STEEL RETAINER (FORGED)
5	SI6405	VALVE CHEST	29	SI6629	RETAINER BOLT
6	SI6406	VALVE CHEST O-RING, LOWER	30	SI6630	RETAINER BOLT NUT
7	SI6407	VALVE COVER	31	SI6631	RETAINER BOLT LOCK WASHER
8	SI6408	VALVE CHEST O-RING, UPPER	32	SI6632	RETAINER BOLT BUSHING-RUBBER (2)
10	SI6410	BACKHEAD SPRING (2)	33	SI6633	RETAINER PLUNGER
11	SI6411	BACKHEAD BARE (INCL.#6415)	34	SI6634	RETAINER PLUNGER SPRING
NS	SI6411-C	BACKHEAD ASSBLY.	35	SI6435	AIR INLET SWIVEL 1/2" NPT
12	SI6412	THROTTLE VALVE O-RING	35B	SI6435B	INLET SWIVEL O-RING
13	SI6613	HANDLE GRIP (2)	36	SI6436	AIR INLET SWIVEL NUT
14	SI6414	THROTTLE VALVE	37	SI6437	AIR INLET SWIVEL NUT O-RING
15	SI6415	THROTTLE VALVE BUSHING	38	SI6438	AIR INLET SCREEN
16	SI6416	THROTTLE VALVE SPRING	39	SI6439	FRONTHEAD BOLT
17	SI6617	THROTTLE LEVER	40	SI6440	AIR INLET SPACER
NS	SI6617SS	SAFETY LEVER COMPLETE (OPT.)	44	SI6444	CHUCK BUSHING 1" x 4 1/4" HEX
18	SI6618	THROTTLE LEVER PIN	46	SI6446	THROTTLE VALVE BALL
21	SI6421	FRONTHEAD BARE	NS	SI6651	RETAINER BOLT BUSHING-STEEL (2)
NS	SI6421-C	FRONTHEAD COMPLETE	52	SI6452	MUFFLER ASSEMBLY
23	SI6323	BACKHEAD BOLT (4)			