

Dedicated to Quality....

....Committed to Support

Sullivan
Palatek®

Designed as a heavy duty Quarry drill suitable for drilling granite.

- Forged alloy construction
- Adjustable drilling speeds
- Adjustable blowing capacity
- Replaceable chuck, 1" x 4 1/4" or 7/8" x 4 1/4"
- Requires constant feed inline oiler or has internal oiler
- Optional muffler
- Optional Wet Kit available
- One year Warranty
- Manufactured in USA



Specifications		
Net Weight	61 lbs	27.5 kg
Length	23.75 in	603 mm
Bore	2.625 in	67 mm
Stroke	3.22 in	82 mm
Blows per minute	2250	2250
RPM	200	200
Chuck Sizes	1 x 4 1/4 in	25 x 108 mm
	7/8 x 4 1/4 in	22 x 108 mm
Air Inlet (MNPT)	3/4 in	19 mm
Air Consumption*	98 cfm	2.77 m ³ /m
*estimated		

FOR OPTIMUM PERFORMANCE, DO NOT OPERATE TOOL ABOVE 90 PSI (6 BAR) WORKING PRESSURE.

WARNING:

ALWAYS DISCONNECT THE AIR SUPPLY BEFORE CHANGING CHISELS OR DISMANTLING THE TOOL FOR SERVICE OR REPAIR. FOR MAXIMUM SAFETY WE ADVISE THE INSTALLATION OF A SHUT-OFF VALVE AT THE END OF THE AIR LINE.

DO NOT EXCEED 100 PSI (7BAR) WORKING PRESSURE.

Sullivan
Palatek®

1201 West US Highway 20
Michigan City, IN 46360

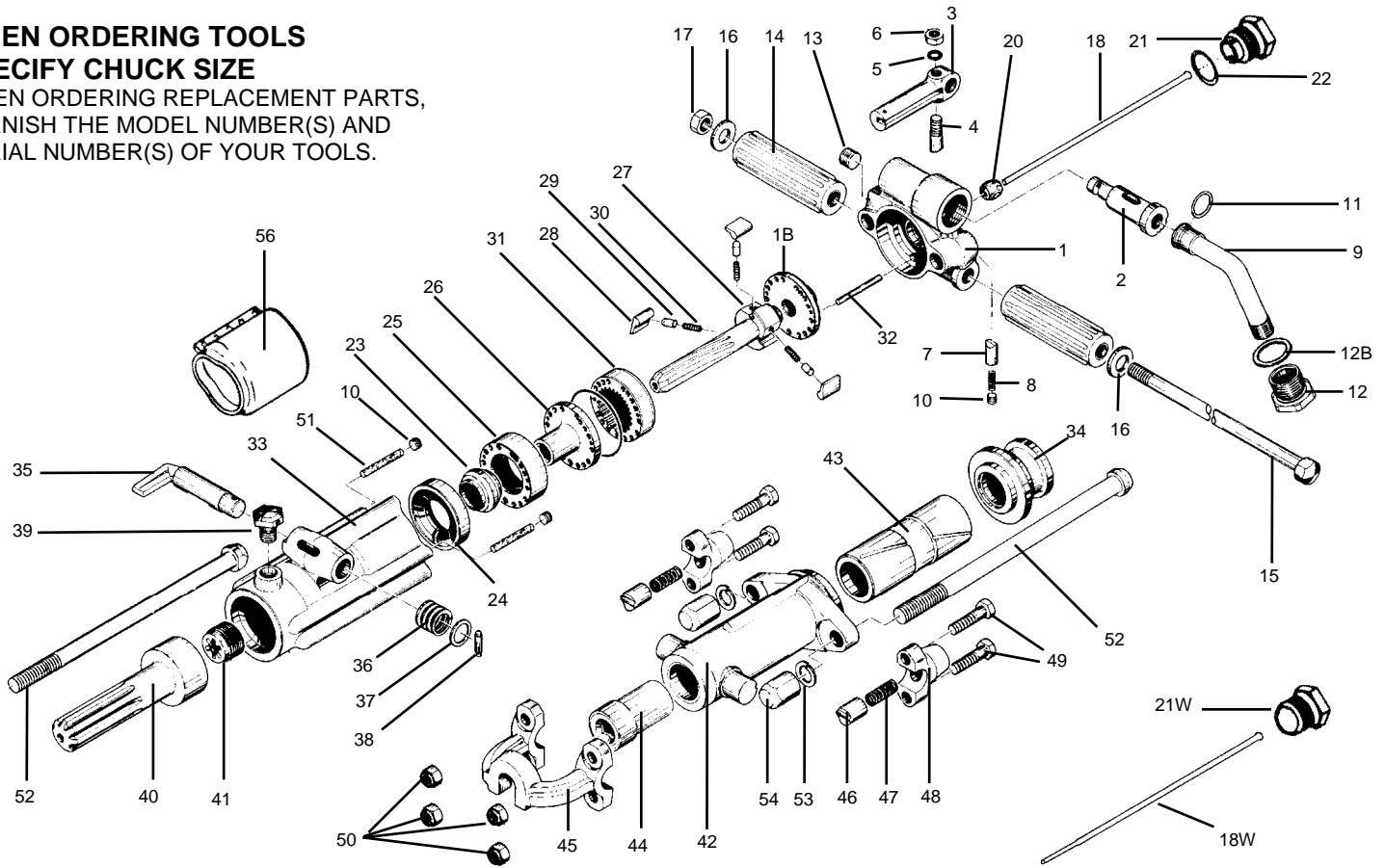
Ph: 800-438-6203
Fx: 800-725-6203

info@sullivanind.com
www.sullivanpalatek.com

PARTS LIST ROCK DRILL 60 lb class SRD-75

WHEN ORDERING TOOLS SPECIFY CHUCK SIZE

WHEN ORDERING REPLACEMENT PARTS,
FURNISH THE MODEL NUMBER(S) AND
SERIAL NUMBER(S) OF YOUR TOOLS.



INDEX	PART	DESCRIPTION	INDEX	PART	DESCRIPTION
1	SI7501	BACKHEAD W/BUSHING	29	SI7529	PAWL PLUNGER (3)
1B	SI7501B	BACKHEAD PLATE	30	SI7530	PAWL SPRING (3)
2	SI7502	THROTTLE VALVE	31	SI7531B	RATCHET RING
NS	SI7502B	THROTTLE VALVE O-RING	32	SI7532	VALVE DOWEL
3	SI7503	THROTTLE VALVE HANDLE	33	SI7533B	CYLINDER
4	SI7504	THROTTLE VALVE HANDLE BOLT	34	SI7534	FRONT WASHER BUSHING
5	SI7505	THROTTLE VALVE HANDLE WASHER	35	SI7535	EXHAUST VALVE
6	SI7506	THROTTLE VALVE HANDLE BOLT NUT	36	SI7536	EXHAUST VALVE SPRING
7	SI7507	DETENT PLUNGER	37	SI7537	EXHAUST VALVE WASHER
8	SI7508	DETENT SPRING	38	SI7538	EXHAUST VALVE PIN
9	SI7509	AIR INLET SWIVEL	39	SI7539	OIL FILLER PLUG
10	SI7510	PLUG (3) (sub. 6620)	40	SI7540	PISTON
11	SI7511	SWIVEL O-RING	41	SI7541	RIFLE NUT
12	SI7512	SWIVEL NUT	42	SI7542	FRONTHEAD
12B	SI7512B	SWIVEL NUT O-RING	43	SI7543	CHUCK DRIVER
13	SI7513	BACKHEAD PLUG	44	SI7544	CHUCK BUSHING 1" x 4 1/4" HEX
14	SI7514	HANDLE GRIP COMPLETE (2)	NS	SI7544S	CHUCK BUSHING 7/8" x 3 1/4" HEX
15	SI7515	HANDLE BOLT	45	SI7545	STEEL RETAINER 1" x 4 1/4"
16	SI7516	HANDLE BOLT WASHER (2)	NS	SI7545S	STEEL RETAINER 7/8" x 3 1/4"
17	SI7517	HANDLE BOLT NUT	46	SI7546	STEEL RETAINER PLUNGER (2)
18	SI7518	BLOW TUBE	47	SI7547	RETAINER SPRING (2)
18W	SI7518W	WATER TUBE	48	SI7548	STEEL RETAINER CAP (2)
20	SI7520	BLOW TUBE RUBBER SEAL	49	SI7549	STEEL RETAINER BOLT(4)
21	SI7521	BLOW TUBE GLAND	50	SI7550	STEEL RETAINER BOLT NUT(4)
21W	SI7521W	WATER TUBE GLAND	51	SI7551	OIL FELT(2)
22	SI7522	BLOW TUBE GASKET	52	SI7552	SIDE ROD(2)
23	SI7523	AUTOMATIC VALVE	53	SI7553	SIDE ROD LOCK WASHER (2)
24	SI7524	FRONT VALVE CHEST	54	SI7554	SIDE ROD BOLT NUT(2)
25	SI7525B	REAR VALVE CHEST	NS	SI7555	CHUCK BUSHING 7/8" x 4 1/4"
26	SI7526B	VALVE GUIDE	56	SI7556	MUFFLER
27	SI7527	RIFLE BAR	NS	SI7334	UNIVERSAL WATER CONN. GROUP
28	SI7528	PAWL (NON-REVERSIBLE) (3)			